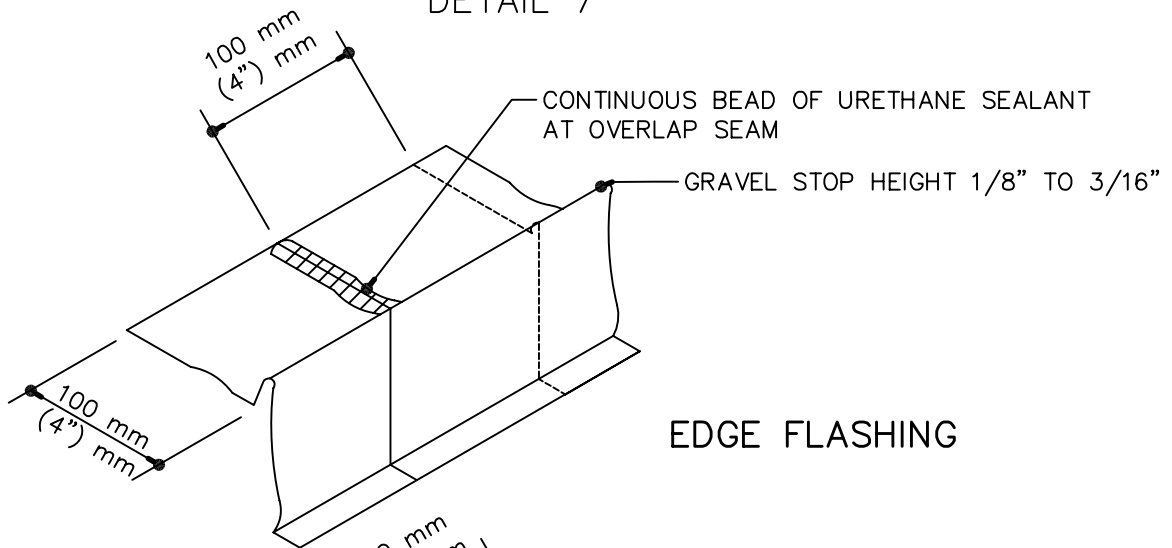
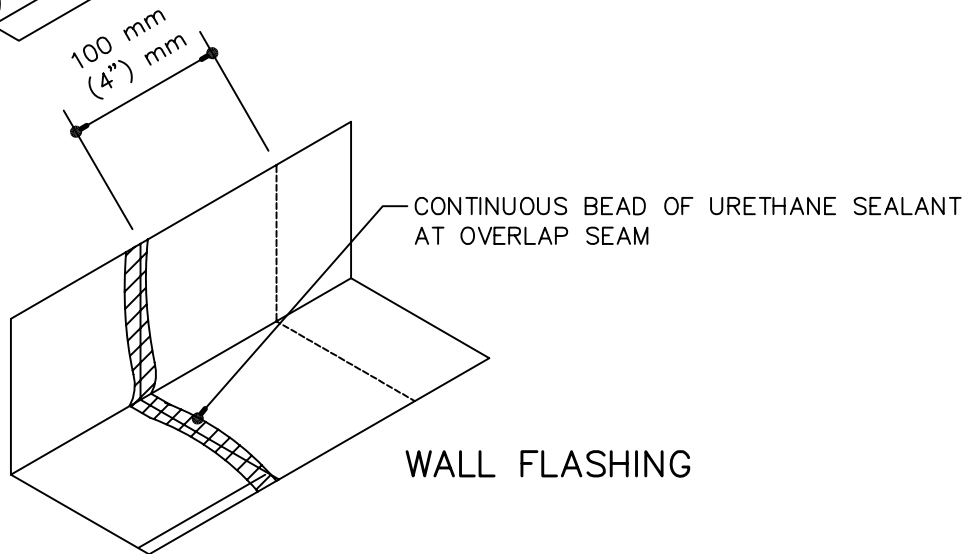


FLASHING OVERLAP

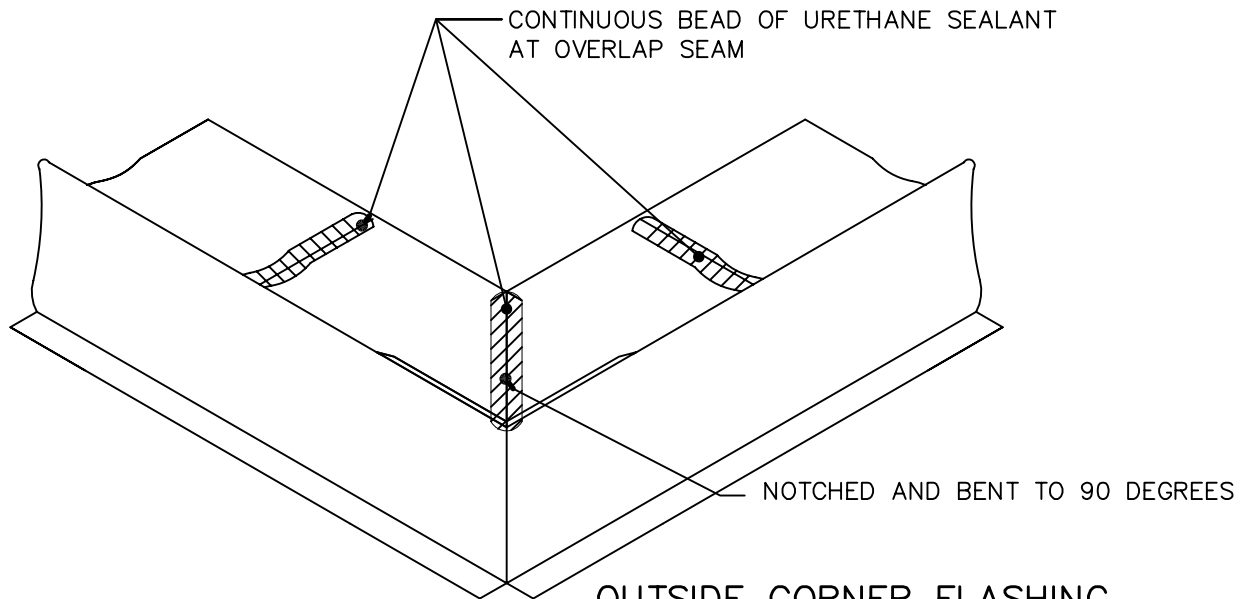
DETAIL 7



EDGE FLASHING



WALL FLASHING



OUTSIDE CORNER FLASHING

*ALL FLASHING SEAMS SHOULD BE INSTALLED AS TO NOT "BUCK WATER"

*SEAL ALL SEAMS, NOTCHES, AND OVERLAPS

** ALL FLASHING IS 26 GA GALVANIZED & BONDERIZED